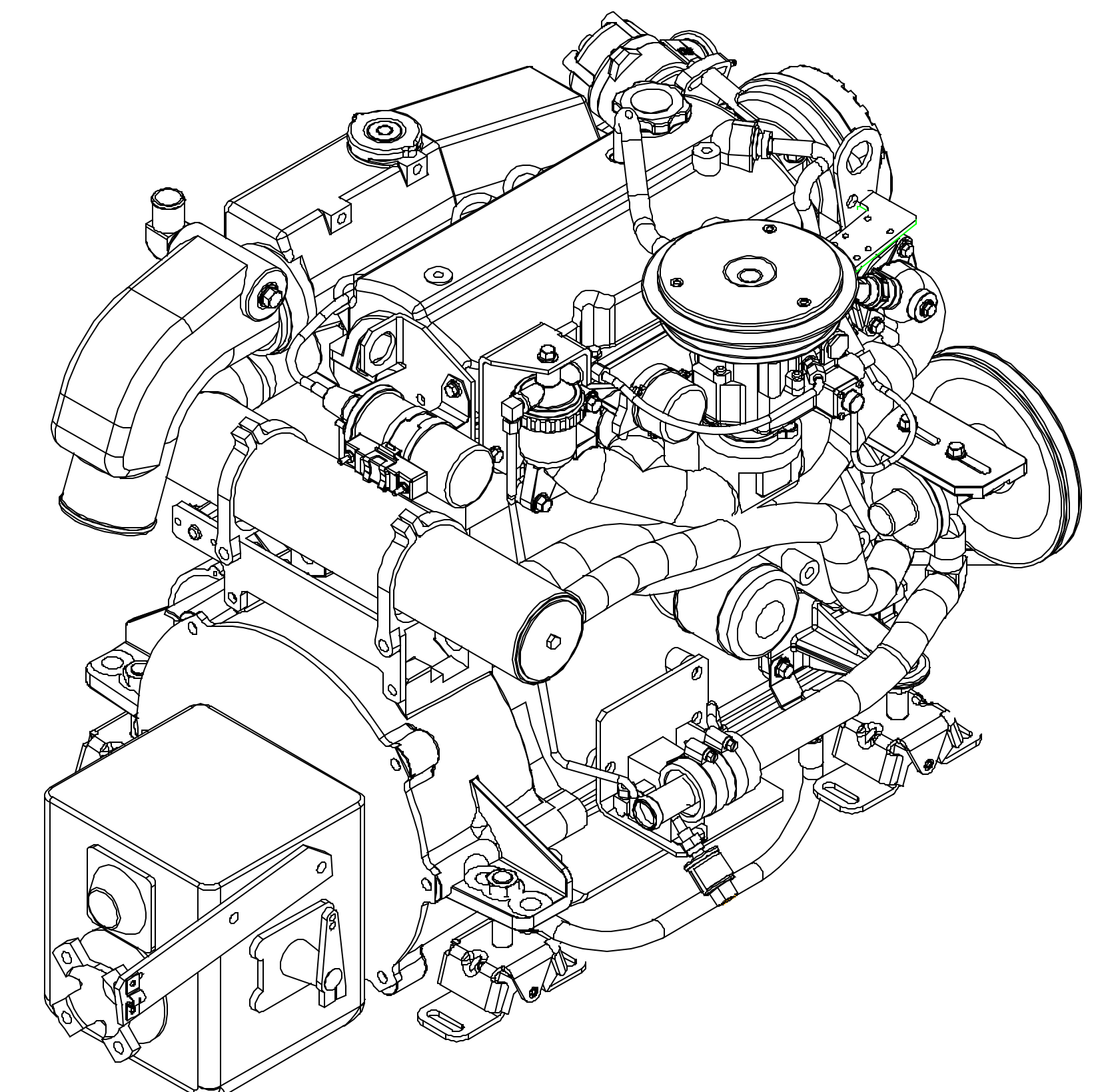
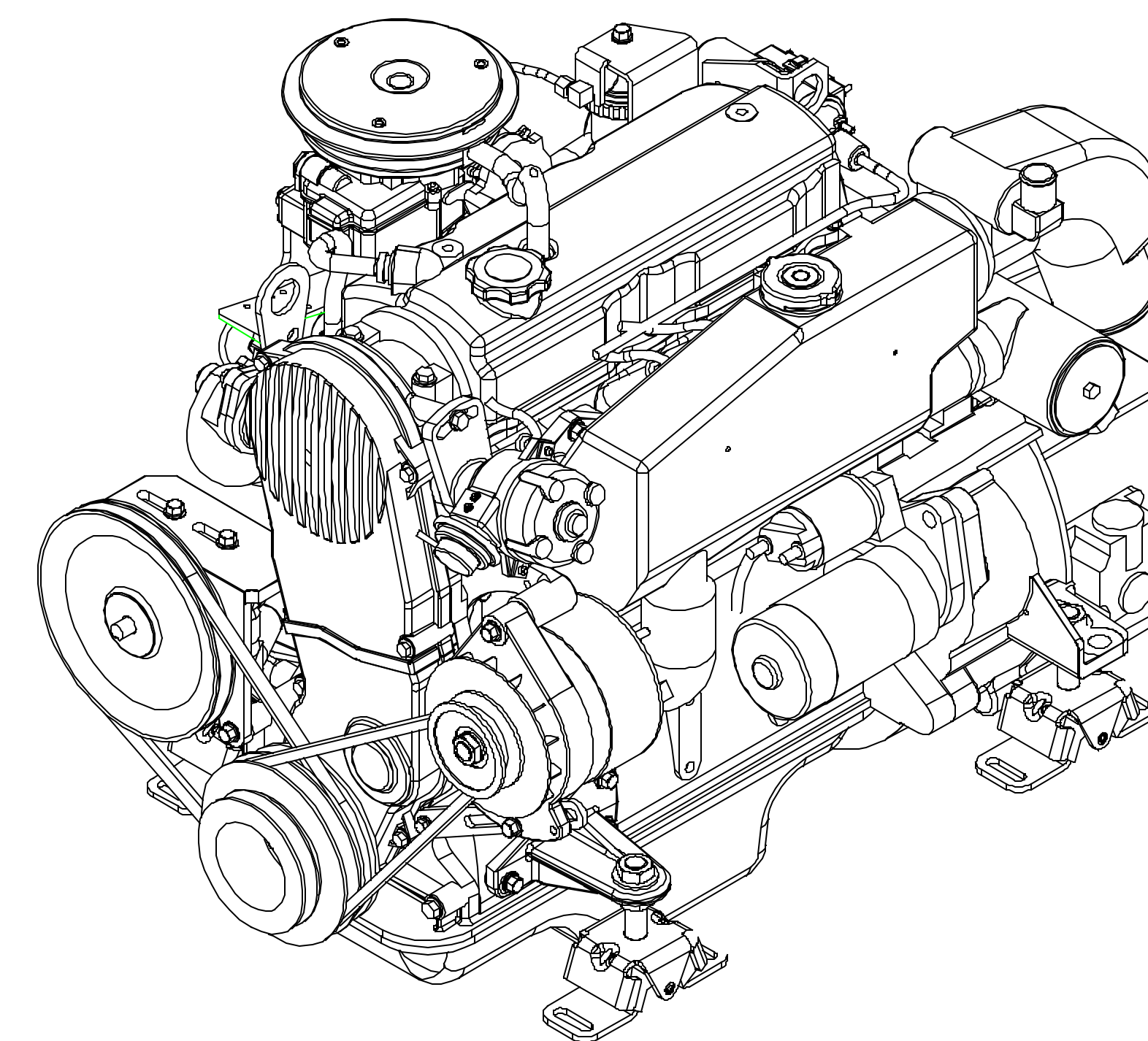
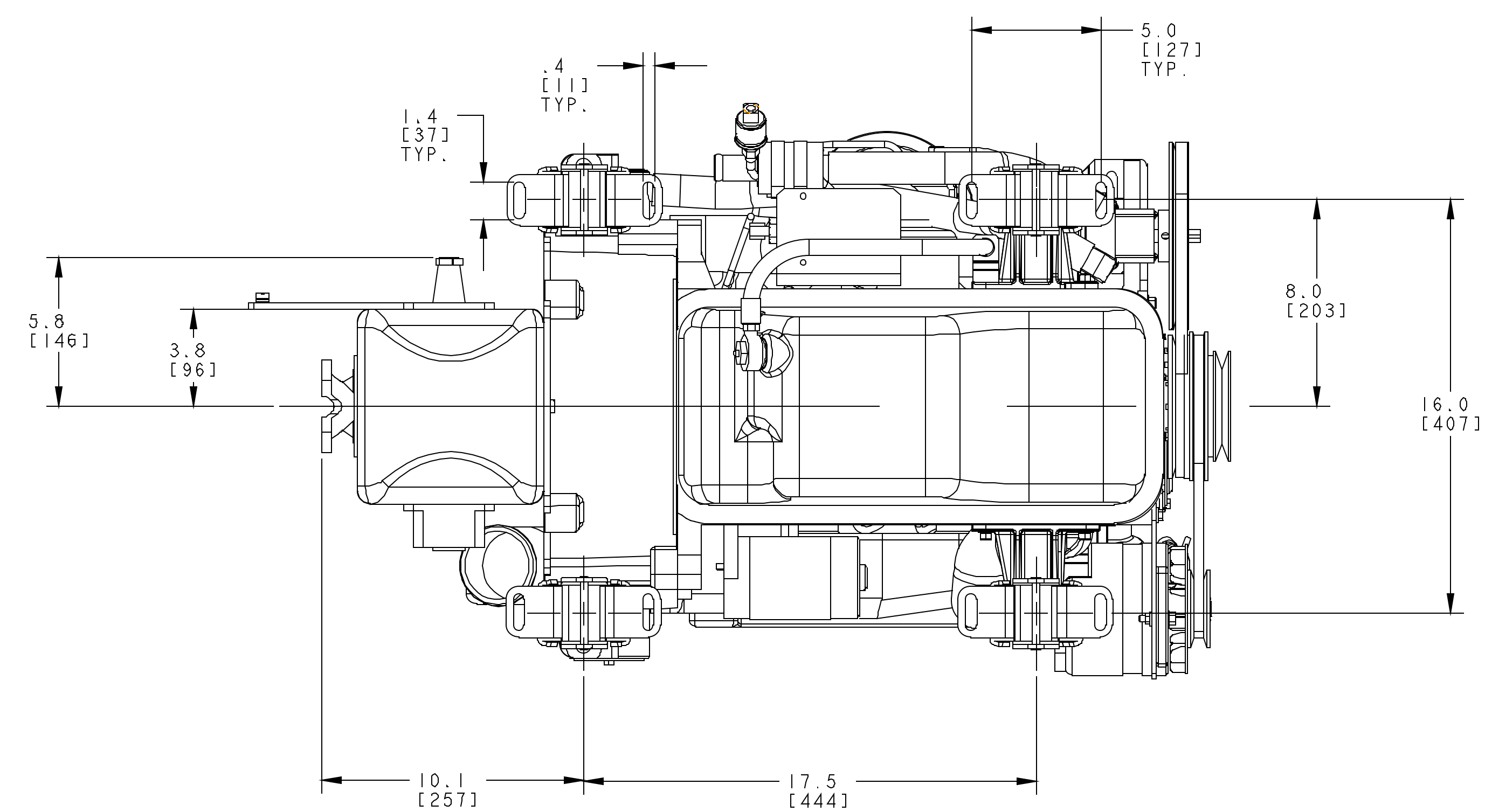
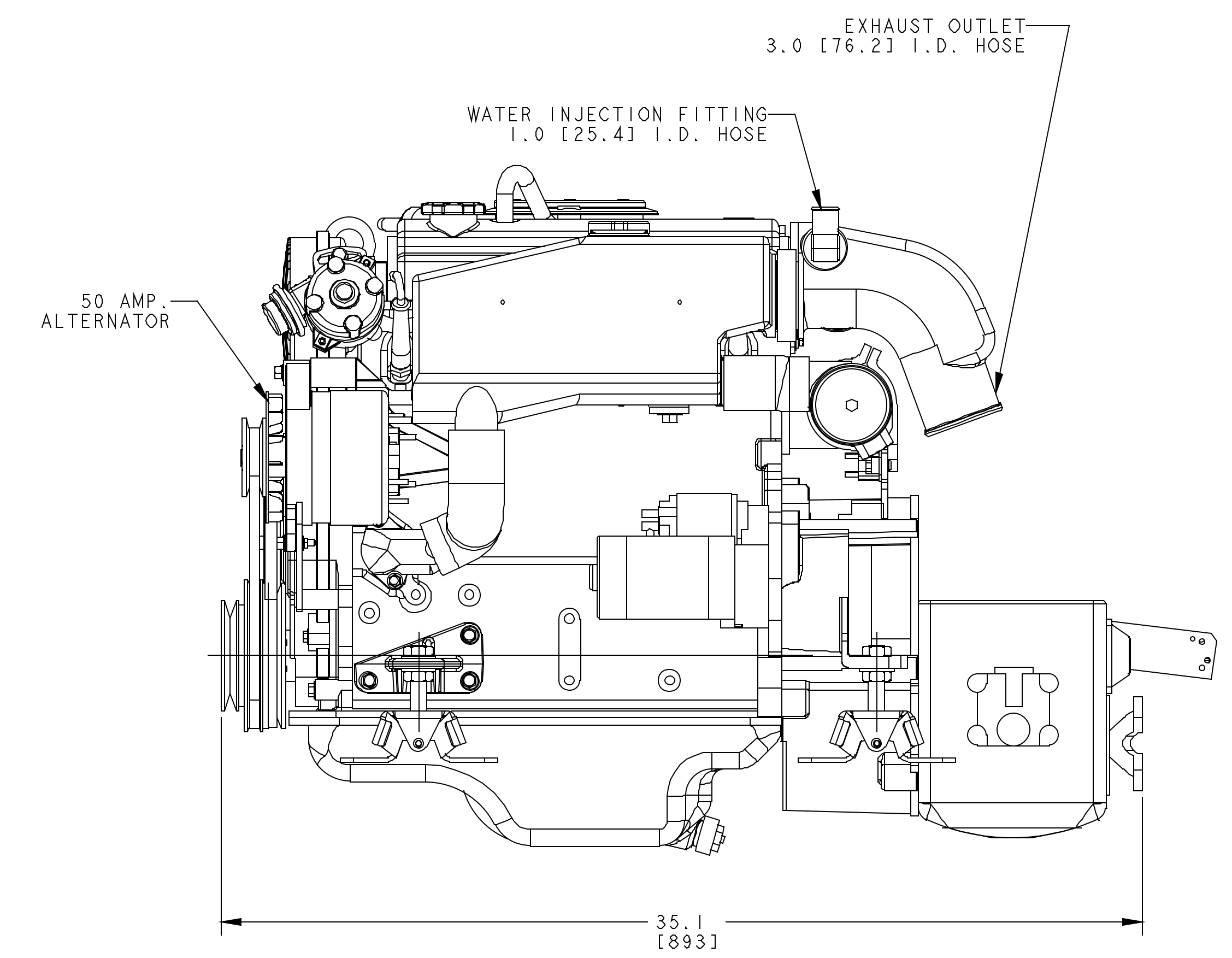
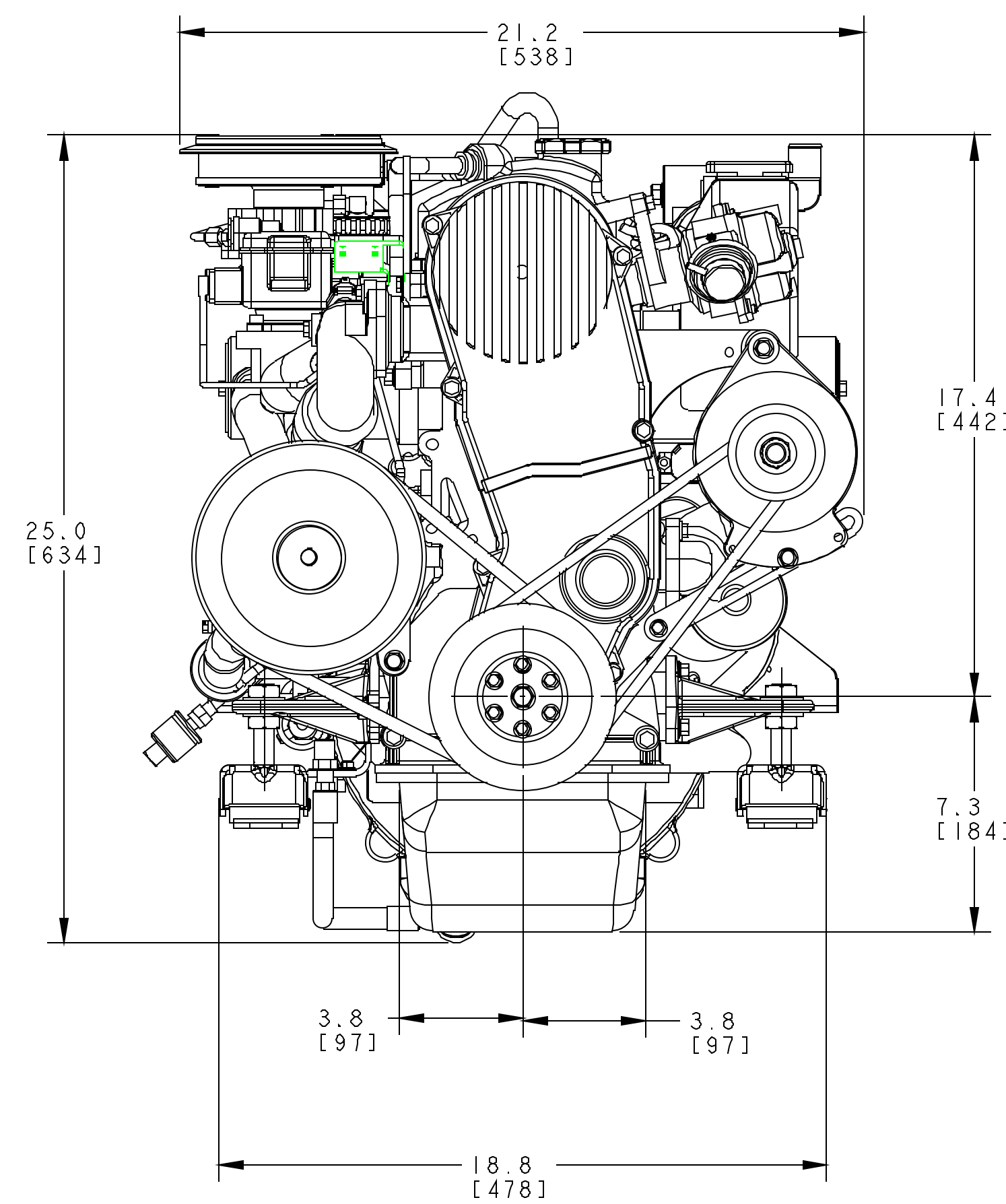
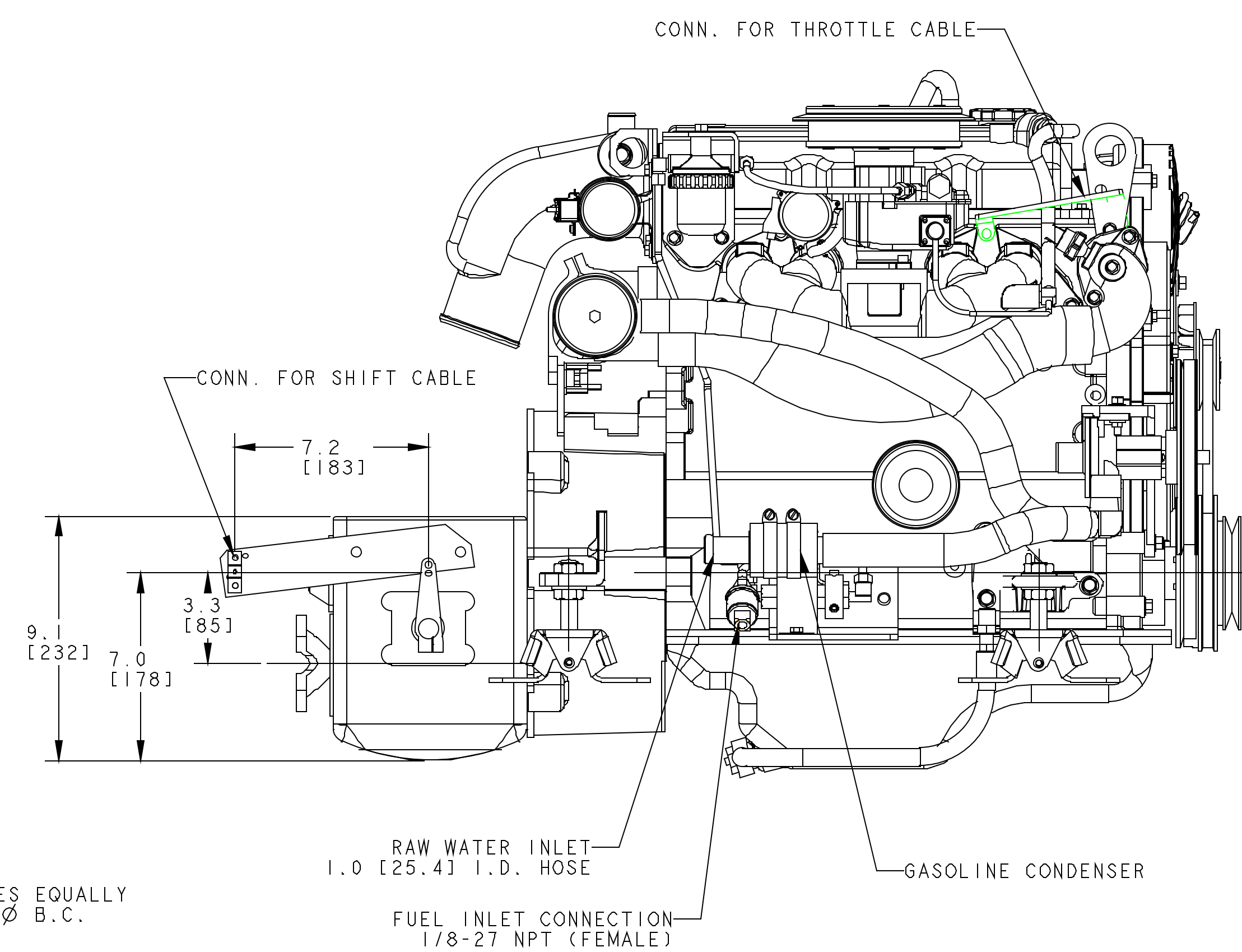
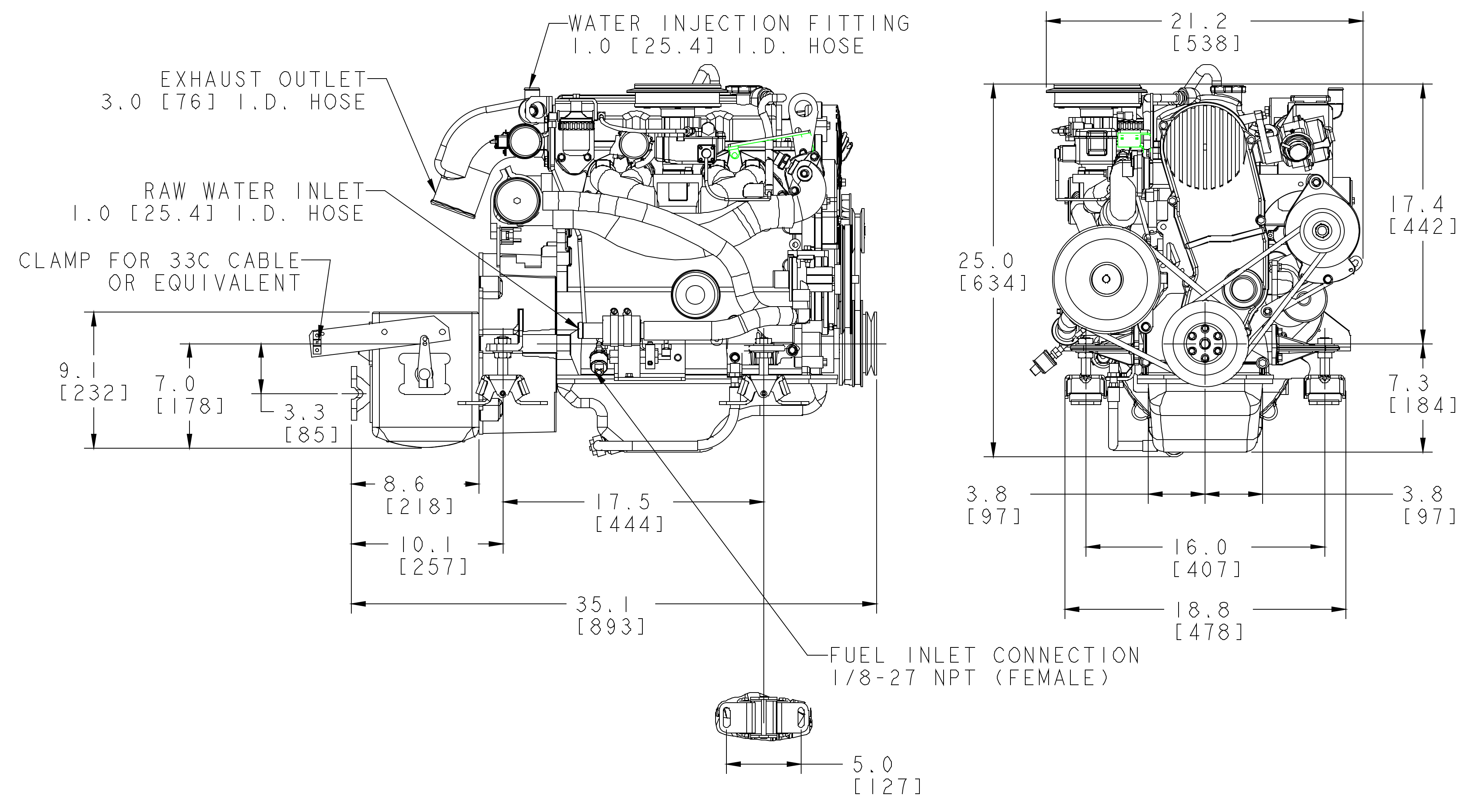


Ø .41 [10.5] THRU - 4 HOLES EQUALLY SPACED ON A 3.25" [82.5] Ø B.C.



TOLERANCES (UNLESS OTHERWISE NOTED):		WESTERBEKE CORPORATION TAUNTON, MA. 02780			
INCHES	MILLIMETERS	TITLE			
XX : .02	XX ± .13	INSTALLATION DRAWING			
XX : .005	XX ± .13	W70GA			
CAS : .03	XX ± .13	DRAWN BY	DATE	MATERIAL	
FINISH : 2		APPROVED BY	09/Jul/02		
DIMENSIONS		SCALE	SIZE	DRAWING NUMBER	REV.
← INCHES →		SCALE 0 250	E	48240	-
(WHEN APPLICABLE)		SHT. 1 of 2			



TOLERANCES (UNLESS OTHERWISE NOTED)		WESTERBEKE CORPORATION TAUNTON, MA. 02780	
INCHES	MILLIMETERS	TITLE	
XX : .02	X : ± .13	INSTALLATION DRAWING	
XXX : .005	.X : ± .13	WTOGA	
CAS : .03	.XX : ± .13		
FINISH : 2			
DIMENSIONS		DRAWN BY	DATE
INCHES	DATE	GA	01/Jul/03
← INCHES →	APPROVED BY	DATE	
← MILLIMETERS →	SCALE 0 200	SIZE	DRAWING NUMBER
(WHEN APPLICABLE)	SHT. 2 OF 2	E	48240
			REV.
			-